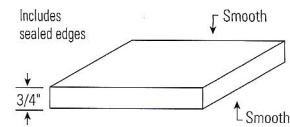


# BuildReady™ PRODUCT LISTING

**TRIM BOARD** BuildReady trim can be cut, drilled and routed like wood. But unlike wood, it won't rot, warp or attract insects. There are endless uses, including fascia, frieze boards, window and door trim, deck edging and decorative accents.

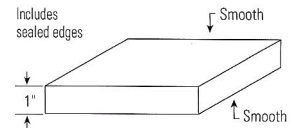
## 1X Trim Board

Offering	Actual Size	Available Lengths	Protective Film Top Side
1 x 4	3/4" x 3-1/2"	18'	
1 x 6	3/4" x 5-1/2"	18'	
1 x 8	3/4" x 7-1/4"	18'	
1 x 10	3/4" x 9-1/4"	18'	
1 x 12	3/4" x 11-1/4"	18'	



## 5/4 Trim Board

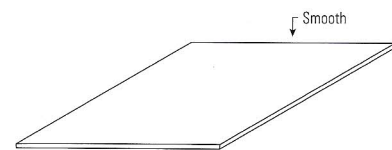
Offering	Actual Size	Available Lengths	Protective Film Top Side
5/4 x 4	1" x 3-1/2"	12', 18', 20'	
5/4 x 6	1" x 5-1/2"	12', 18', 20'	
5/4 x 8	1" x 7-1/4"	12', 18', 20'	
5/4 x 10	1" x 9-1/4"	12', 18', 20'	
5/4 x 12	1" x 11-1/4"	12', 18', 20'	



**TRIM SHEETS** DesignReady sheets are as simple to work with as wood. Flat and clean, sheets are available in a smooth finish.

**4' Wide Sheets** available in smooth, all measurements actual

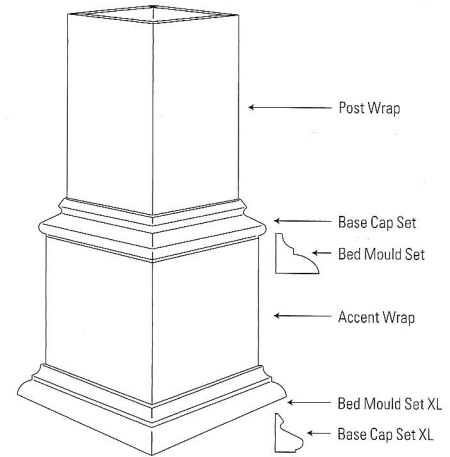
Offering	Available Lengths
3/8" Sheet	8'
1/2" Sheet	8'



**POST WRAPS** Friction-fit design snaps together, requires minimal adhesive. Unlike other column wraps, a film keeps post wraps clean and allows the tape to be easily removed.

**Post Wraps and Accessories** available in smooth/smooth

Description	Available In
8'6" Post Wrap	4" x 4", 6" x 6", 8" x 8"
10' Post Wrap	4" x 4", 6" x 6", 8" x 8"
Accent Wrap	4" x 4", 6" x 6", 8" x 8"
Bed Mould Set	4" x 4", 6" x 6", 8" x 8"
Bed Mould Set XL	4" x 4", 6" x 6", 8" x 8"
Base Cap Set	4" x 4", 6" x 6", 8" x 8"
Base Cap Set XL	4" x 4", 6" x 6"
Belmont	4" x 4", 6" x 6"
Windsor	4" x 4", 6" x 6"
Glue with Tip for 1pc Post Wrap	



Ships with Four-Side Protective Film

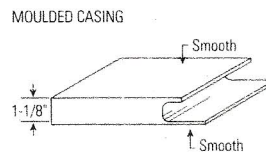
**CORTEX® FASTENING SYSTEM** Install BuildReady products in less time with plugs that match perfectly. Each box includes all the screws, setting tools and cellular PVC plugs needed for fastening.

**Cortex Fasteners** available in woodgrain or smooth, 2" length

Covers	Screws	Plugs	Setting Tool
50 linear feet	75	100	1
250 linear feet	375	400	3
750 linear feet	1125	1200	6



1 x 4 Side J-Pocket Casing with Nail Fin	1-1/8" x 4-1/2"	16'	smooth
1 x 6 Side J-Pocket Casing with Nail Fin	1-1/8" x 6-1/2"	12'	smooth

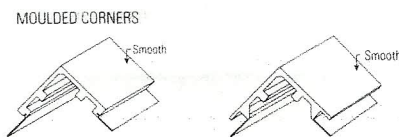


**CORNERS** One-piece outside corners provide a square edge with no unsightly, rough seam. Available with or without J-pocket in 18' or 20' length. Products arrive in PlyPaks.

**Corners**

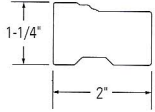
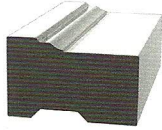
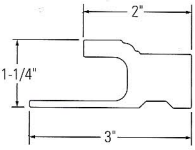
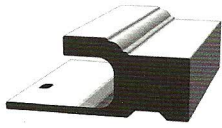
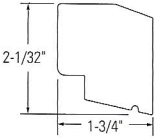

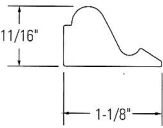
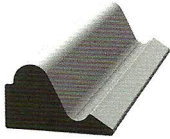
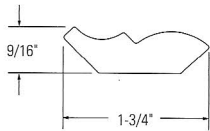

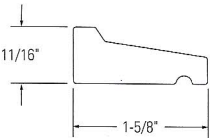
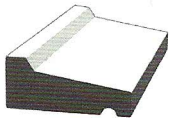
Offering	Actual Size	Length	Finish Options
6 x 6 Outside Corner with Nail Fin	5-1/2" x 5-1/2"	20'	smooth
6 x 6 Outside Corner with J-Pocket and Nail Fin	5-1/2" x 5-1/2"	20'	smooth

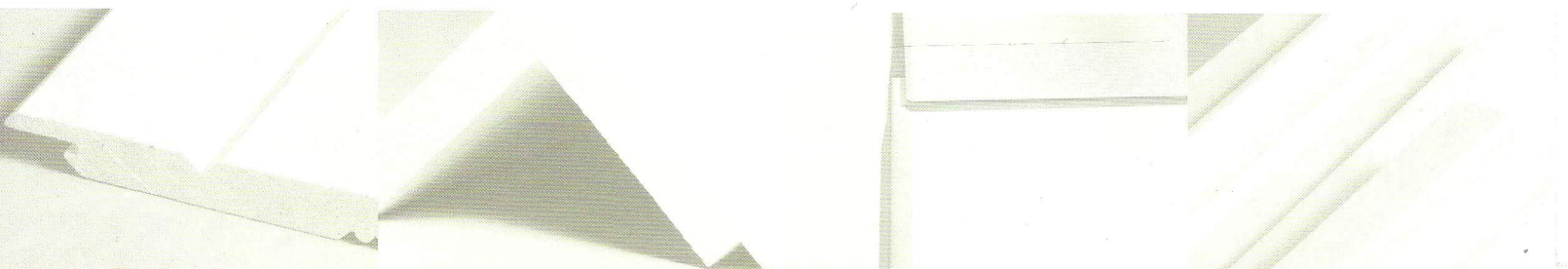
All Corners Include Sealed Edges



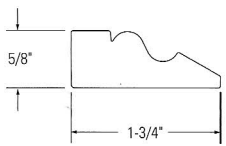
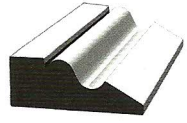
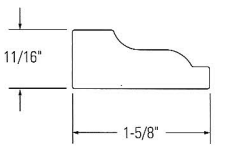
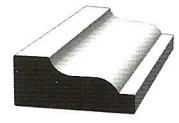
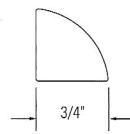

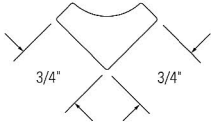

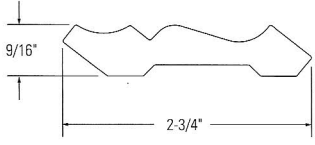

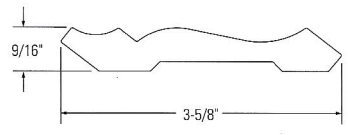

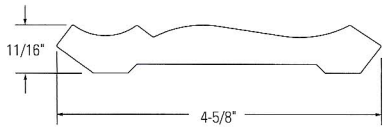

**MOULDINGS** Add beautiful finishing detail to your exterior trim. Mouldings are a long-lasting alternative to wood accent trim and are available in shapes that enhance popular architectural styles, in gables around windows and doors, or wherever you desire. We've recently added more profiles to match more home styles than ever.

## Moulding

Offering	Actual Size	Length		
Brick Mould	1-1/4" x 2"	17'6"		
J Brick	1-1/4" x 3"	18'		
Historic Sill	1-3/4" x 2"	16'		
Base Cap	11/16" x 1-1/8"	16'		
Bed Mould	9/16" x 1-3/4"	16'		
Drip Cap	1-1/16" x 1-5/8"	16'		



**Moulding** continued

Offering	Actual Size	Length		
Panel Moulding	1-3/8" x 2-3/4"	16'		
Shingle Mould	1-1/16" x 1-5/8"	16'		
Quarter Round	3/4" x 3/4"	16'		
Scotia Cove	3/4" x 3/4"	16'		
3X Crown	9/16" x 2-3/4"	16'		
4X Crown	9/16" x 3-5/8"	16'		
5X Crown	11/16" x 4-5/8"	16'		
6X Crown	11/16" x 5-1/4"	16'	